

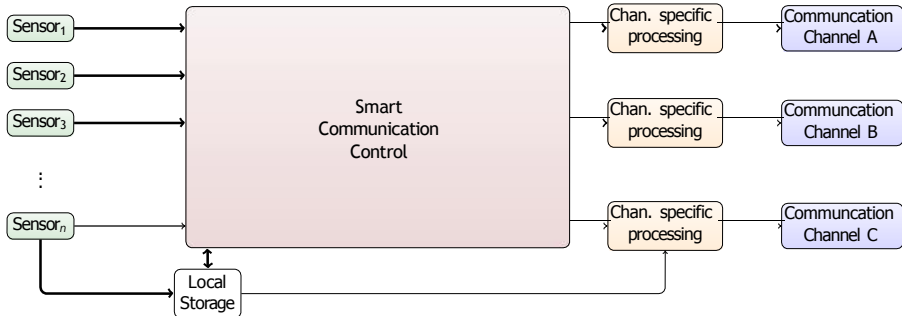
# Smart Communication for Autonomous <sup>air land sea</sup> Vehicles

**Rich Local Context**

**Machine Learning, Artificial Intelligence**

**Abstraction, Compression, Encryption**

**Availability, Bandwidth, Cost**



- **When to transmit?**
- **What to transmit?**
- **How to transmit?**

- Dynamic communication environment
- Local information  $\gg$  Transmission bandwidth
- Enough power  $\Rightarrow$  sophisticated algorithms

# Implementation



- CAN, USB and Ethernet for sensors
- Terrestrial comms.
- Satellite comms.

In collaboration with

**HEAD**  
COMMUNICATIONS